

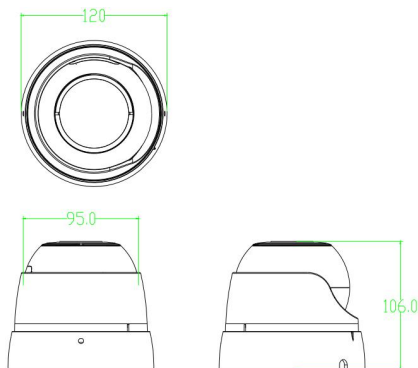
5 MP Motorized Lens Network Cameras



FEATURES

- Programme: IMX335+RV1109 , FLASH : 256MB , DDR : 1GB , 5MP@25/30fps high resolution, 4M/3M/1080P/720P real-time video output
- Dual stream support (Stream rate: 36Kb-16M)
- 2.7-13.5mm Motorized Varifocal IR Lens, 4Pcs Super High Power IR LED, Available IR Distance: 25 ~ 30M
- IP66 compliant
- ONVIF Profile S and API
- True Day/ Night Operation: IR Cut Filter (ICR)
- Storage: NVR , VMS、TF Card(Optional)
- Support H.265 and H.264
- Power Supply: DC12V±10%, PoE (Optional)

DIMENSION



SPECIFICATIONS

CIR-HDO4FMJC

Camera	
IP Rating	IP66
Filter	Removable IR Cut Filter
Image Sensor	Progressive Scan CMOS
Lens	2.7-13.5mm Motorized Varifocal IR Lens
Resolution	2592(H)×1920(V)
Electronic Shutter	NTSC:1/30-1/100,000s PAL:1/25-1/100,000s
Min Illumination	0Lux
Available IR Range	25 ~ 30M
Video/Audio	
Video Compression	H.264 / H.265
Transmission Stream Rate	Dual Stream (Code Rate:36Kb~16M)
Frame Rate	1~25fps (PAL) , 1~30fps (NTSC)
Audio Compression	G711A、G711U
External Interface	
Network Interface	RJ45*1 10M/100M
Remote Control Interface	/
Audio Interface	input/output*1 (Optional)
Alarm Interface	input/output*1 (Optional)
Network	
Protocol	TCP/IP, UDP, SMTP, DDNS, DHCP, FTP, RTSP, HTTPS, IPv6
Network Support	ONVIF Profile S , API
Maximum Users	10
Web Language	English, Simplified Chinese, Traditional Chinese
Function	
Image Setting	Contrast, Brightness, Sharpness, Saturation , WDR、3DNR, HLC, BLC
Storage	NVR、VMS、TF Card(Optional)
Video Type	Manual, Timing, Motion Detection
Alarm Triggers	Motion Detection
Alarm Event	Snapshot, Video, Alarm Output, Email Upload,
System/Explorer Support	Chrome, Firefox, Safari, IE11.0 and above
General Function	Flashing, Mirror, OSD information overlay、Camera angle
General	
Power Supply	DC12V±10% , POE(Optional)
Current Consumption	600mA(Max)
Dimension	Ø120×106mm
Weight	860g
Storage Temperature	-30 ~ +60°C
Operating Temperature	-30 ~ +40°C

4-6F No.5 Lane 130, Min-Chung Road, Hsin Tien City, Taiwan
 Room B 3rd Building of Kin On Commercial Building, Nos.51 Jervois Street, Sheung Wan, Hong Kong
 3rd~5th Floor, 2A Building, Huihao Industrial Park, He Shui Kou, Gongming, Shenzhen, China

www.irlab.net info@irlab.net