

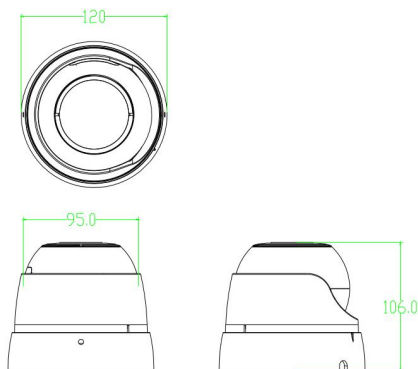
4 MP Motorized Lens Network Cameras



FEATURES

- Programme : GC4653+FH8852 V200 , FLASH:16MB , DDR : 64MB , 1/2.9" 4MP GC4653 CMOS , high resolution , 4MP/3MP/1080P/D1
- Dual stream support (Stream rate: 36Kb-16M)
- 2.8-12mm Motorized Varifocal IR Lens, 4Pcs Super High Power IR LED, Available IR Distance: 25 ~ 30M
- IP66 compliant
- ONVIF Profile S and API
- True Day/ Night Operation: IR Cut Filter (ICR)
- Storage: NVR , VMS、
- Support H.265 and H.264
- Power Supply: DC12V±10%, PoE (Optional)

DIMENSION



SPECIFICATIONS

CIR-HDR4FMMC

Camera

IP Rating	IP66
Filter	Removable IR Cut Filter
Image Sensor	Progressive Scan CMOS
Lens	2.8-12mm Motorized Varifocal IR Lens
Resolution	2560(H) X 1440(V)
Electronic Shutter	NTSC:1/30-1/100,000s PAL:1/25-1/100,000s
Min Illumination	0Lux
Available IR Range	25-30M

Video/Audio

Video Compression	H.264 / H.265
Transmission Stream Rate	Dual Stream (Code Rate:36Kb~16M)
Frame Rate	1~25fps (PAL) , 1~30fps (NTSC)
Audio Compression	/

External Interface

Network Interface	RJ45*1 10M/100M
Remote Control Interface	/
Audio Interface	/
Alarm Interface	/

Network

Protocol	TCP/IP, UDP, SMTP, DDNS, DHCP, FTP, RTSP, HTTPS, IPv6
Network Support	ONVIF Profile S , API
Maximum Users	10
Web Language	English, Simplified Chinese, Traditional Chinese

Function

Image Setting	Contrast, Brightness, Sharpness, Saturation , 3DNR, DWDR, BLC
Storage	NVR, VMS
Video Type	Manual, Timing, Motion Detection
Alarm Triggers	Motion Detection
Alarm Event	Snapshot, Video, Email Upload,
System/Explorer Support	Chrome, Firefox, Safari, IE11.0 and above
General Function	Flashing, Mirror, OSD information overlay, Camera angle

General

Power Supply	DC12V±10% , POE(Optional)
Current Consumption	600mA(Max)
Dimension	Ø120×106mm
Weight	860g
Storage Temperature	-30 ~ +60°C
Operating Temperature	-30 ~ +40°C